

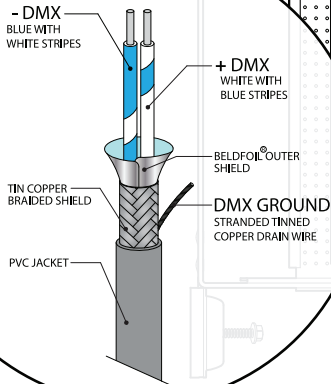
AURORA RGB HOUSINGS

WIRING TERMINATION OVERVIEW

TO BE INSTALLED BY QUALIFIED ELECTRICIAN

PLEASE REFER TO COMPLETE INSTALLATION INSTRUCTIONS ENCLOSED IN HOUSING PACKAGING BOX OR VISIT WWW.PURELIGHTING.COM

OVERVIEW OF BELDEN CABLE P/N 9841

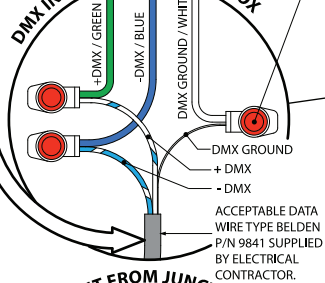


AURORA RGB HOUSING MODELS

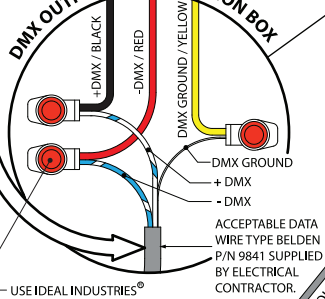
AH3, AH8, AC3, AC8

TOP VIEW OF HOUSING

DMX INPUT INTO JUNCTION BOX



DMX OUTPUT FROM JUNCTION BOX



USE IDEAL INDUSTRIES® UY-4 IDC CONNECTOR CATALOG NUMBER 85-950 OR EQUIVALENT PRODUCT AVAILABLE AT MOST HOME IMPROVEMENT RETAILERS.

TO NEXT LIGHT FIXTURE

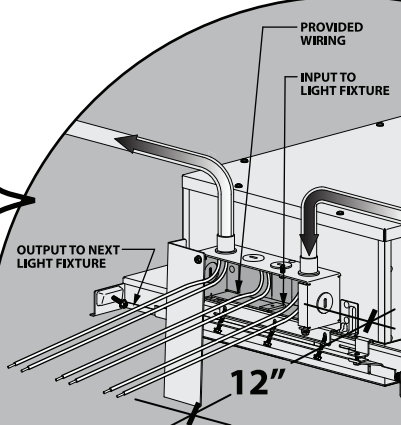


FROM CONTROLLER OR PREVIOUS LIGHT FIXTURE

ELECTRICIAN MUST LEAVE 12" OF ALL POWER AND DATA WIRES INSIDE JUNCTION BOX



ELECTRICIAN MUST LEAVE 12" OF ALL POWER AND DATA WIRES IN JUNCTION BOX FOR FUTURE MAINTENANCE THROUGH THE FIXTURE APERTURE.



PLEASE REFER TO COMPLETE INSTALLATION INSTRUCTIONS ENCLOSED IN HOUSING PACKAGING BOX OR VISIT WWW.PURELIGHTING.COM



1718 West Fullerton Ave. Chicago, IL 60614
 Ph: 773.770.1196 Fax: 773.883.6128
 info@purelighting.com www.purelighting.com
 TECHNICAL ASSISTANCE 1.877.906.PURE